

PRINTING AND APPLICATION
OF LABEL IN REAL TIME

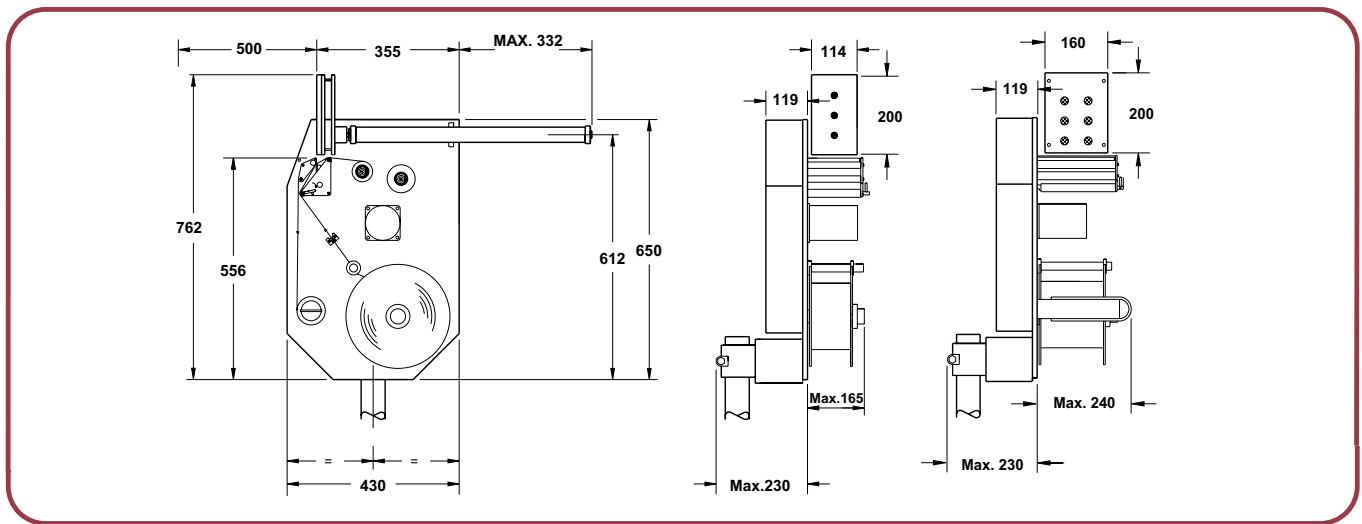
LOGITRON-1950 110/160



- Large size labels.
- Vertical or horizontal application.
- High-speed application.
- Communication and link-up options with automatic line mechanisms.
- Compact, easy to install unit.
- Self-contained working option without connection to a computer system.
- Options for connection to weighing systems, barcode readers and other auxiliary equipment.
- Reels of labels for long application cycles.
- Normal paper with transfer ribbon or thermal paper.
- PC control programs with image generation on a screen.

ITW **BETAPRINT**
DIVISION DE ITW ESPAÑA S.A.
SISTEMAS DE IMPRESION Y ETIQUETADO

GENERAL DIMENSIONS



TECHNICAL SPECIFICATIONS

Electrical power supply: 220 V 50Hz (Opt. 110 V 60Hz)
Air supply: 5 bar
Air consumption: 150 l/min (maximum)
Weight: 85 Kg (with base and 0.5m column)

LABEL SPECIFICATIONS

Outer diameter: for 110 (width) diam. 280 mm
for 160 (width) diam. 260 mm
Core diameter: 75 mm

APPLICATION CHARACTERISTICS

Forward application (pallets...)
Separate hand control with PCMCIA (opt. PCM).
Production speed according to label size and application distance.
Time optimization by separating printing and application signals.
End of reel (label/ribbon) detection.
Confirmation of label applied.
Application distance 400mm (Up to 900mm optional).
Label contact detection.
Indicator light (3 colours - Opt. BAL).

PRINT SPECIFICATIONS

Print speed: 100...250 mm/sec
Print width: 110 or 160 mm
Print length: 250 mm (others length available)
Print resolution: 12 dots/mm (300 DPI)
Print characters height: 0.9 to 50 mm.

RIBBON SPECIFICATIONS

Ribbon length: 600 m
Inking: Coating side out (CSO)
Core diameter: 25 mm

PROGRAMMABILITY

Text: 2 fonts (scalable)
8 fonts, true type (external loading)
(125 Kb maximum for each one).
Fields: Date/Time (free format),
Counters (up/down), Text,
Variable fields, Rotation (90, 180 or 270°)
Barcodes, ...
Barcodes: EAN-8, EN-13, EAN-128, Code 128,
UPC-E, Code 39, 2 of 5, ITF ...
(other available)
PC Programs: JDS-4 (Windows) and PCM-40

COMMUNICATION

RS-232-C or RS-485 for data transmission
(Protocol ENQ/ACK).
Opto-coupled logic inputs.
Voltage-free logic outputs via relay.
Options RS-422, ETHERNET.
Label selection option (15 max)
via logic lines (P.L.C. connection).
Up to 999 formats may be stored and selected easily
by user (512 Kb. SRAM free).