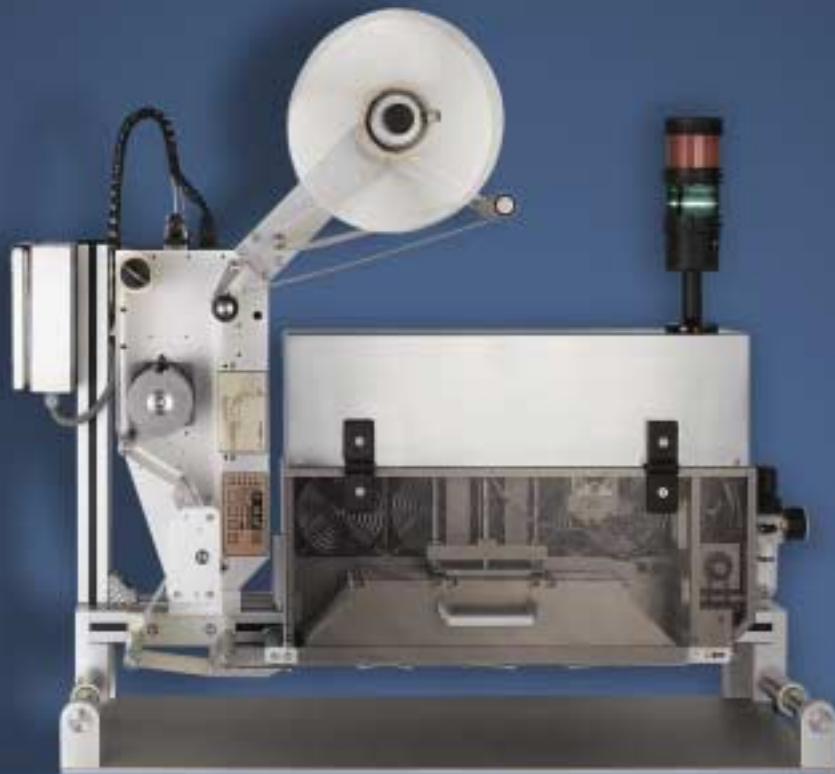


New for Thermoformers



R 4000 Multi-Label Applicator



- ***Thermal transfer printer ready***

Optional addition of thermal transfer printer, depending upon print area dimensions and application speed.

- ***Efficient***

Simultaneous label application (more than one label at the same time) on packaging thermoformers.

- ***Flexible***

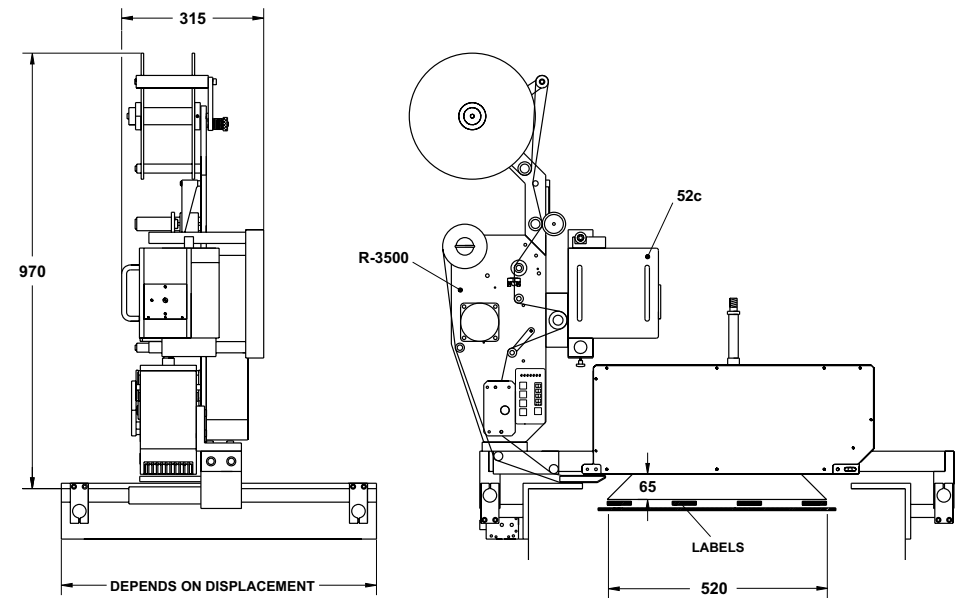
Multiple application positions by whole applicator displacement, allows easy adaptation to most packaging thermoformers.

TECHNICAL SPECIFICATIONS:

Application device (width):	Model type R-4000/1 (120 mm) Model type R-4000/2 (160 mm) Model type R-4000/3 (200 mm)
Label width:	30 mm minimum. The maximum width depends on the R-4000 model type.
Application speed:	20 m/min (Optional: 30 m/min)
Application device displacement:	Pneumatic positioner.
Displacement speed:	300 mm/sec
Displacement length:	Adjustable.
Application width:	520 mm (Contact us for values >520 mm).
Reel diameter:	270 mm
Positioning accuracy:	+ or - 1 mm
Electrical supply:	220V 500W
Air consumption:	4 bar



R-4000 Multi-Label Applicator



MULTI-LABEL APPLICATOR (STANDARD DIMENSIONS)

ITWBetaprint reserves the right to modify its electronic coder according to the latest technical developments without prior notice.