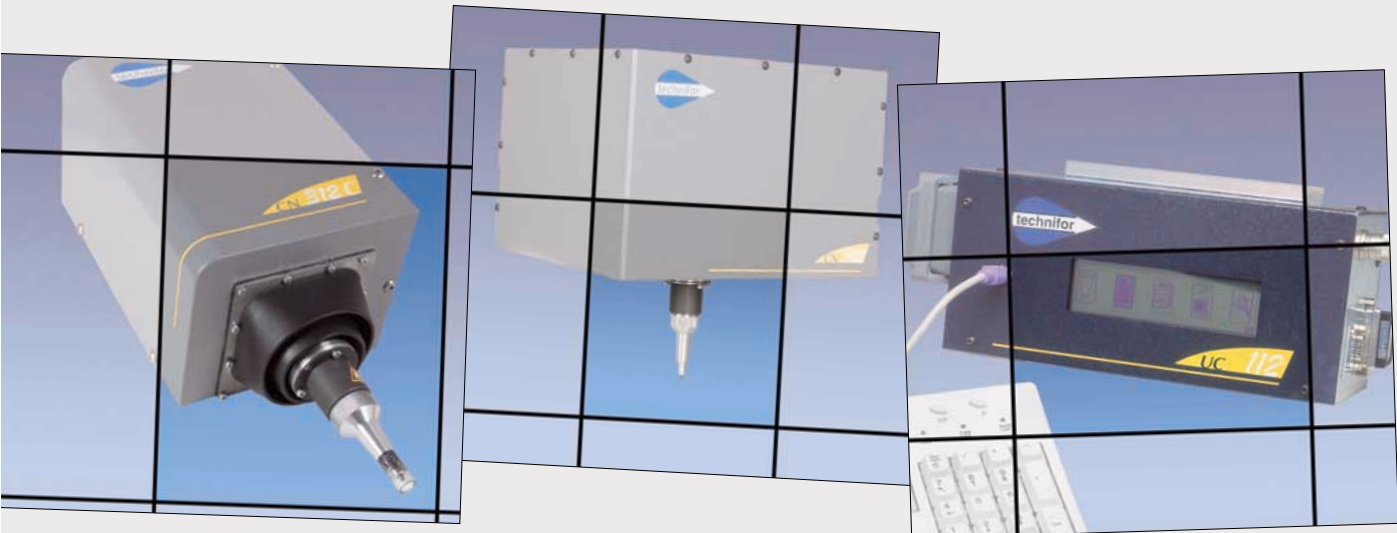


Micro-Percussion Marking Machines



CN312

CN312 Cm
CN312 Sm
CN312 Dm

Electromagnetic



A MARK WHICH DEFIES TIME

Applications

INTEGRABLE MARKING MACHINES

CN312Cm Compact: 50x40mm marking window,
 CN312Sm Standard: 100x100mm marking window,
 CN312Dm Double: 100x180mm marking window.

USAGE: ideal solution for the marking of metal and plastic parts, of various shapes and surface conditions. (aerospace, automobile, mechanical, cast, electromechanical, ...).

ENVIRONMENT: conceived for industrial integrations:

- on production lines,
- in automatic or semi-automatic assembly or test stations.

INTEGRATED SOFTWARE FEATURES

- Create / Modify / Save marking data.
 - Management of 6 Input / 2 Output board.
 - Calculation of variable data: date codes (several formats available), shift codes, serial numbers.
- Management of text style:
 - choice of fonts,
 - choice of logos,
 - character height adjustable in steps of 0.1mm,
 - compression, spacing, automatic centering,
 - linear marking, angular, radial, inclination, inverted, mirrored.
- Downloading of custom fonts and logos.

HIGH PERFORMANCE

Specially conceived for marking that meets the criteria for "Excellent" as defined by the IAQG (complies with SPEC2000):

- Data Matrix™ marking.
- 5x7 font (complies with DT05-89).

SAVE TIME AND MONEY ON INTEGRATION

The independent user-friendly UC112 control unit (screen + internal software + keyboard) speeds programming and eliminates the need for a PC or PLC.

SIMPLIFIED INDUSTRIAL INTEGRATION

Control the marking head by:

- File selection from memory of the UC112 by activation of inputs.
- Control unit in independent mode.
- PLC or other information system, via RS232 link.

Easy to mount:

- Simple attachment: 2 M8 mounting holes.
- 2 Ø8H8 positioning holes.

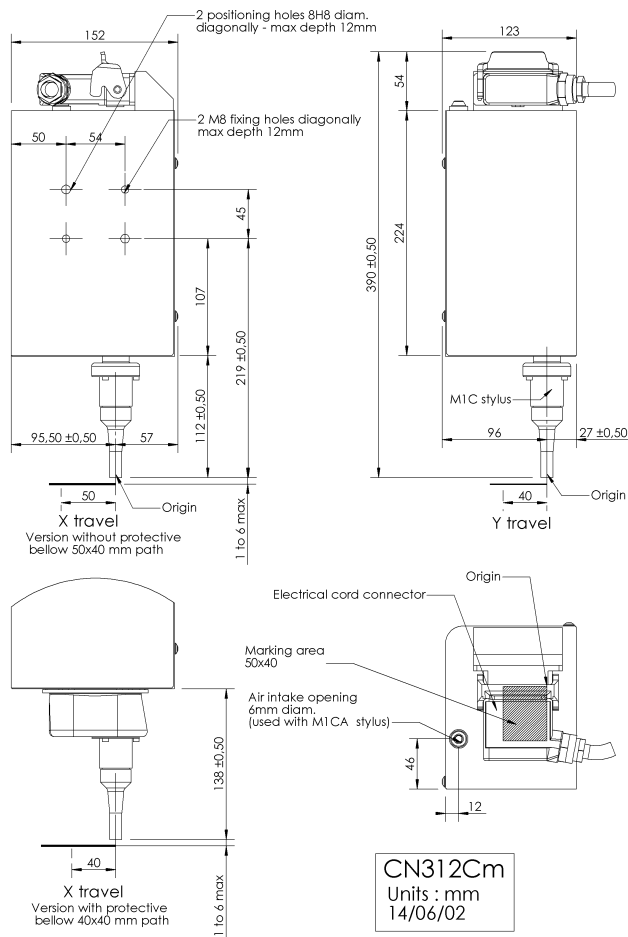
NORMS:

- Directive "Machine" 89/392/CEE.
- Directive "Electromagnetic compatibility" 89/336/CEE.
- Directive low voltage "Electric devices" 73/23/CEE.
- Complies with part 15 of the FCC rules.

Permanent Marking



CN312Cm



Technical characteristics

COMMON CHARACTERISTICS OF CN312Cm/Sm/Dm MACHINES

Accessories/Adaptations:

- Stylus points at 60°, 90°, 120°.
- 3m Head/CCU cord (standard), 6m, 10m or 15m.
- Height adjustment system (± 22mm).
- Column.
- Start marking foot pedal.
- Start cycle / End cycle button box .
- 115 or 230 V AC / 24 V AC - 200 VA power supply .
- Rotary Marking Device.
- Motorized Z axis with or without touch sensor.

Environment:

- Operating temperature: +5 to +45°C (+41 to +113 °F).

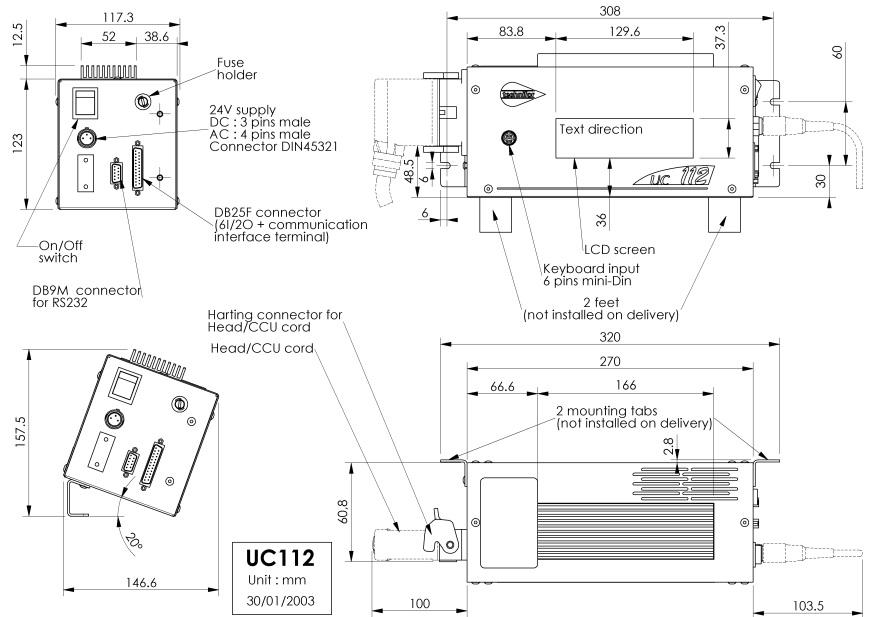
Options:

- T101W Windows® marking software.
- File transfer software between the UC112 and a PC.
- External data input via RS232 link.
- 19" 4U rack mount face plate for UC112.
- Protective shutters, protective boot(CN312Sm/Dm).
- Protective bellows (CN312Cm).

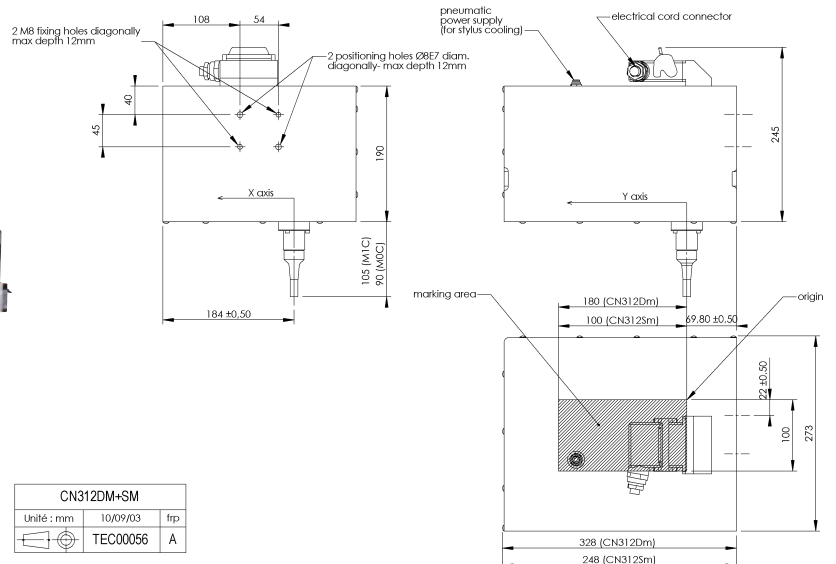
Machines	CN312Cm	CN312Sm	CN312Dm
Dimensions (without stylus)	152x123x279mm	273x248x245mm	273x328x245mm
Weight	6.8Kg	14.6Kg	17.4Kg

- Dimensions (l x h x w) without connectors: 270x117.3x135.5mm
- Weight: 3.2Kg.
- Electrical supply: 24 V AC ±10%.
- Consumption: 200 VA.
- Data input by:
 - 105 key AT external keyboard (supplied with UC112).
 - PC using T101W Windows® software
 - PLC via RS232 link (DB9 connector).
 - Other information systems via RS232 link.
 - Bar code readers via RS232 link (optional)
- File selection from memory:
 - by 105 key AT keyboard.
 - by 61 / 20 (on DB25 connector).
 - by RS232 connection.
- Communication interface (DB25 connector):
 - Start of marking.
 - End of cycle.
 - Reset.
 - Machine ready.
 - 61 / 20.
- Data Matrix™ 2D Code.

UC112



CN312Sm/Dm



CN312DM+SM		
Unité : mm	10/09/03	frp
	TEC00056	A

Accessories



Motorized Z axis, with or without touch sensor.



Column.



CHR height adjustment system ($\pm 22\text{mm}$).



Sylus points at 60°, 90°, 120°.



Industrial footswitch.



Standard footswitch.



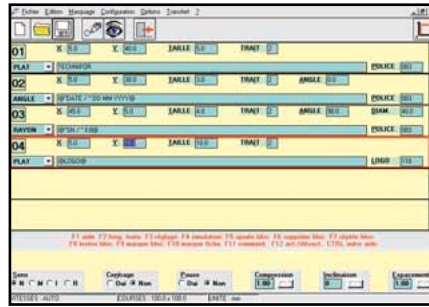
Start cycle/End cycle button box.



230V AC/24V AC - 200VA power supply.
115V AC/24V AC - 200VA power supply.



Rotary Marking Device (DMC)



T101W Windows® standard marking software

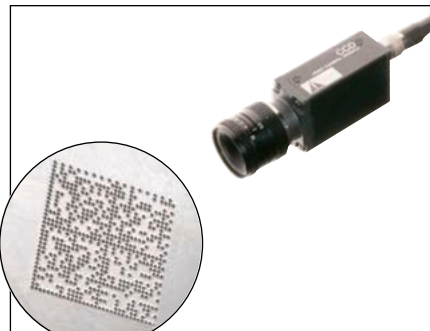
Mark'n Read™

by technifor

In partnership with experts in machine vision and 2D symbology readers for manufacturing environments, Technifor is in unique position to supply and support Direct Part Marking solutions with associated reading for verifying that the correct code has been marked, and for monitoring the marking quality.



Software to verify the quality of the mark



Integrated camera on line or hand-held reader decoding function



A MARK WHICH DEFIES TIME



Technifor SA - Miribel site - F

114, quai du Rhône - F-01708 MIRIBEL Cedex

Tel +33 (0)4 78 55 85 50 - Fax +33 (0)4 78 55 85 60

E-Mail : tf@technifor.com

www.technifor.com